



鋁 電 解 電 容 器

ALUMINIUM ELECTROLYTIC CAPACITOR



■ LK型特性

- 焊針引出式普通品
- 具有防爆結構
- 適用於開關電源、通信設備及其它各種電子產品中

FEATURES

- General purpose with snap-in terminal series
- Top safely vent construction
- Ideally suited for switching power supplies, telecommunication and other electronic products

■ 特性表 SPECIFICATIONS

項目 Item	主要特性 Performance Characteristics																					
額定工作電壓範圍 Rated Working Voltage Range	10V.DC~100V.DC	160V.DC~450V.DC																				
使用溫度範圍 Operating Temperature Range	-40°C~+85°C	-25°C~+85°C																				
標稱靜電容量範圍 Nominal Capacitance Range	470 μF~68000 μF	47 μF~1500 μF																				
靜電容量允許偏差 Capacitance Tolerance	±20%(M, +25°C, 120Hz)																					
漏電流 Leakage Current	施加額定電壓5分鐘： $I \leq 3\sqrt{CV} \mu A$ 25°C After application of rated voltage for 5 minutes: $I \leq 3\sqrt{CV} \mu A$ 25°C C: 標稱靜電容量(μF) Nominal Capacitance in μF; V: 額定工作電壓(V) Rated Working Voltage in V																					
損耗角正切值(tan δ) Dissipation Factor	<table border="1"> <thead> <tr> <th>額定工作電壓(V) Rated Working Voltage</th> <th>10</th> <th>16</th> <th>25</th> <th>35</th> <th>50</th> <th>63</th> <th>100</th> <th>160~250</th> <th>400~450</th> </tr> </thead> <tbody> <tr> <td>tan δ (MAX.) (25°C, 120Hz)</td> <td>0.50</td> <td>0.45</td> <td>0.40</td> <td>0.35</td> <td>0.30</td> <td>0.25</td> <td>0.20</td> <td>0.15</td> <td>0.20</td> </tr> </tbody> </table>		額定工作電壓(V) Rated Working Voltage	10	16	25	35	50	63	100	160~250	400~450	tan δ (MAX.) (25°C, 120Hz)	0.50	0.45	0.40	0.35	0.30	0.25	0.20	0.15	0.20
額定工作電壓(V) Rated Working Voltage	10	16	25	35	50	63	100	160~250	400~450													
tan δ (MAX.) (25°C, 120Hz)	0.50	0.45	0.40	0.35	0.30	0.25	0.20	0.15	0.20													
溫度特性 Temperature Stability	<table border="1"> <thead> <tr> <th>額定工作電壓(V) Rated Working Voltage</th> <th>10~100</th> <th>160~250</th> <th>400~450</th> </tr> </thead> <tbody> <tr> <td>阻抗比(120Hz) Impedance Ratio(MAX.)</td> <td>Z-25°C Z+20°C</td> <td>4</td> <td>3</td> </tr> <tr> <td></td> <td>Z-40°C Z+20°C</td> <td>15</td> <td></td> </tr> </tbody> </table>		額定工作電壓(V) Rated Working Voltage	10~100	160~250	400~450	阻抗比(120Hz) Impedance Ratio(MAX.)	Z-25°C Z+20°C	4	3		Z-40°C Z+20°C	15									
額定工作電壓(V) Rated Working Voltage	10~100	160~250	400~450																			
阻抗比(120Hz) Impedance Ratio(MAX.)	Z-25°C Z+20°C	4	3																			
	Z-40°C Z+20°C	15																				
高溫負荷特性 Load Life	在+85°C環境中施加工作電壓和最大允許紋波電流2000小時后，電容器性能符合下表要求： After application of rated working voltage and maximum permissible ripple current at +85°C for 2000 hours, capacitors meet the characteristics requirements at +25°C listed below. <table border="1"> <tbody> <tr> <td>漏電流 Leakage Current</td> <td>不大于初期規定值 Less than the initial specified value</td> </tr> <tr> <td>損耗角正切值 tan δ</td> <td>不大于初期規定值的200% Less than 200% of the initial specified value</td> </tr> <tr> <td>靜電容量變化率 Capacitance change</td> <td>初始值的±20%以內 Within ±20% of the initial measured value</td> </tr> </tbody> </table>		漏電流 Leakage Current	不大于初期規定值 Less than the initial specified value	損耗角正切值 tan δ	不大于初期規定值的200% Less than 200% of the initial specified value	靜電容量變化率 Capacitance change	初始值的±20%以內 Within ±20% of the initial measured value														
漏電流 Leakage Current	不大于初期規定值 Less than the initial specified value																					
損耗角正切值 tan δ	不大于初期規定值的200% Less than 200% of the initial specified value																					
靜電容量變化率 Capacitance change	初始值的±20%以內 Within ±20% of the initial measured value																					
高溫貯存特性 Shelf Life	在+85°C環境中無負荷放置1000小時后，電容器的性能符合高溫負荷特性中所列的規定值。 After leaving capacitors under no load at +85°C for 1000 hours, capacitors meet the characteristics listed above.																					

■ 紋波倍乘因子 MULTIPLIER FOR RIPPLE CURRENT

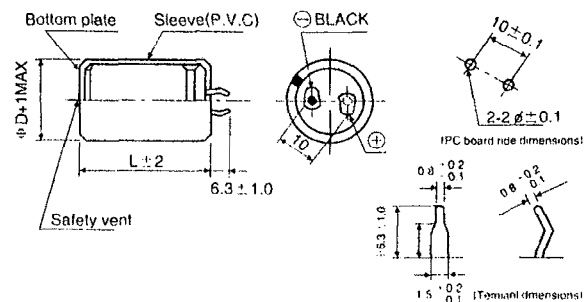
頻率因子 Frequency Coefficient

WV(V)	Freq(Hz)				
	50	60	120	1K	10K
10~100	0.88	0.90	1.10	1.10	1.15
160~250	0.80	0.80	1.00	1.14	1.18
400~450	0.78	0.80	1.00	1.10	1.15

溫度因子 Temperature Coefficient

環境溫度 Ambient Temperature(°C)	+85	+65
倍乘因子 Factor	1.0	1.3

■ 外形圖及尺寸表 CASE SIZE TABLE





鋁 電 解 電 容 器
ALUMINIUM ELECTROLYTIC CAPACITOR



■ 尺寸、額定電壓及標稱容量 DIMENSIONS, RATED VOLTAGE AND CAPACITANCE

WV(V) Cap(μF)	10		16		25		35		50		63		100	
	(1)	(2)	(1)	(2)	(1)	(2)	(1)	(2)	(1)	(2)	(1)	(2)	(1)	(2)
470													22×25	0.75
680													22×30 25×25	0.95
1000											22×25	1.20	22×40 25×30	1.20
1500									22×25	1.05	22×30 25×25	1.30	25×40 30×30	1.65
2200							22×25 22×30	1.25	22×30 25×25	1.35	22×30 25×30	1.50	25×50 30×45	1.80
3300					22×25	1.25	22×30 25×25	1.45	22×40 25×30	1.70	25×40 30×30	1.90	30×50 35×45	2.40
4700					22×25	1.60	25×25 25×30	1.80	25×40 30×30	2.10	30×40	2.30	35×60	2.70
6800			22×25 25×25	1.60	22×30 25×25	2.05	22×40 25×30	2.45	30×40	2.60	30×60 35×50	3.00		
10000	22×25	1.87	22×30 25×30	2.30	22×40 25×30	2.60	25×40 30×40	3.00	30×50 35×45	3.40	30×60 35×50	3.30		
15000	22×30 25×25	2.46	25×30 30×30	3.10	25×40 30×40	2.90	30×50 30×40	3.70	35×60	3.70				
22000	25×40 30×30	3.57	25×40 30×40	4.00	30×50 35×40	3.25	30×60 35×50	4.05						
33000	25×50 30×40	4.69	30×50 35×40	5.40	30×60 35×50	3.75								
47000	30×50 35×45	6.10	30×60 35×50	7.20										
68000	30×60 35×50	7.90												

WV(V) Cap(μF)	160		200		250		400		450	
	(1)	(2)	(1)	(2)	(1)	(2)	(1)	(2)	(1)	(2)
47							22×25 25×25	0.25	22×30 25×25	
68							22×30 25×25	0.75	22×30 25×25	0.7
100							22×40 25×30	0.95	22×40 25×30	0.8
150	22×25	0.75	22×25 25×25	0.65	22×30 25×25	0.65	25×40 30×35	9.22	30×40 25×50	1.18
220	22×25 25×25	0.90	22×30 25×25	1.19	25×30 22×40	1.24	25×50 30×40	1.58	30×50 35×40	1.59
330	25×25 30×30	1.55	22×40 25×30	1.51	25×40 30×30	1.61	30×50 35×45	2.00	35×50	2.12
470	22×40 30×30	1.81	25×40 30×30	1.93	25×50 30×40	2.04	30×60 35×50	2.51	35×60	2.65
680	25×40 30×30	2.33	30×40 35×35	2.48	30×50 35×40	2.07				
1000	30×45 35×40	2.96	30×50 35×45	2.75	30×60 35×50	3.48				
1500	30×50 35×45	3.94								

(1)外形尺寸 Case Size D×L(mm)
(2)最大允許紋波電流 Max allowable ripple current(Arms +85°C, 120Hz)